


# PRODUCT SHEET

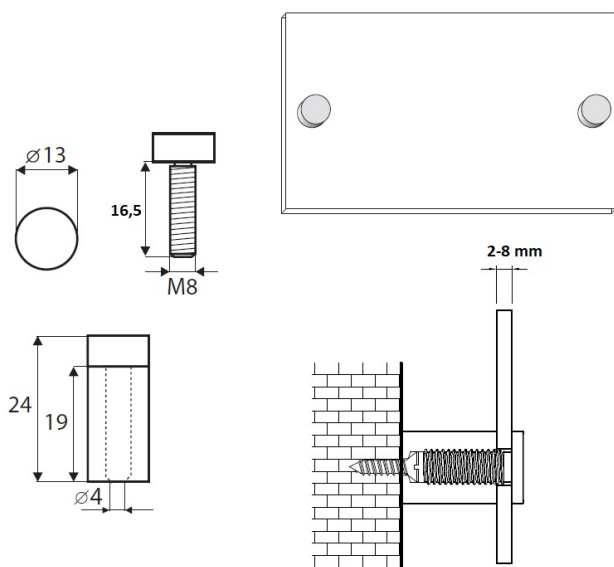
**Description:**

Sign Board Screw  $\varnothing 13 \times 19$ mm, Alu, Red Gold, M8, W/2 Transparent Washers

**Item number:**

22.11.123-9

Units	Box	Carton	HS Code	Barcode
Pcs.	100	360	8302490099	 5704866084208



**SISO A/S**

Mileparken 11  
DK-2740 Skovlunde  
Denmark  
VAT: DK 24786013

Phone +45 45 830 900

[www.siso.dk](http://www.siso.dk)  
[siso@siso.dk](mailto:siso@siso.dk)

Danske Bank  
Nytorv Branch  
Copenhagen  
SWIFT: DABADKKK

Account no.  
4180 3112 112936  
IBAN Account  
DK7230003112112936